



High Resolution Intelligent Inkjet Printing System





High Resolution Intelligent Inkjet Printing System Series

Advantages



Superior cost-effective

Upgraded print engine. Real-time calculation of printing costs. Simple operation and stable printing.

Intelligent

Built-in Linux high-performance operating system 4G storage space, 1G running memory.

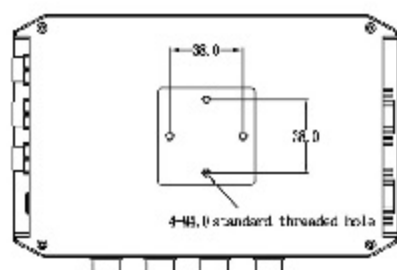
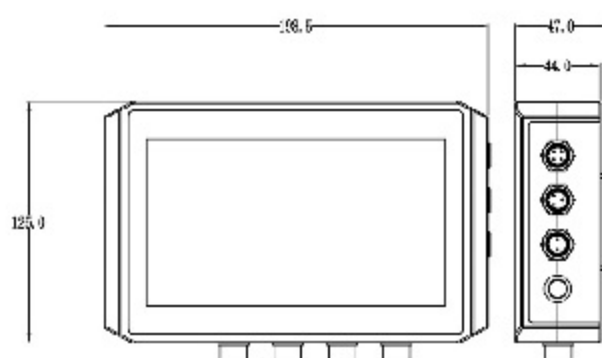
Industrial design

7 inch ultra clear capacitive touch screen. Integrated nozzle design. Aviation aluminum sandblasted shell.

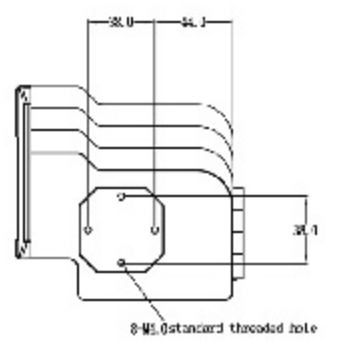
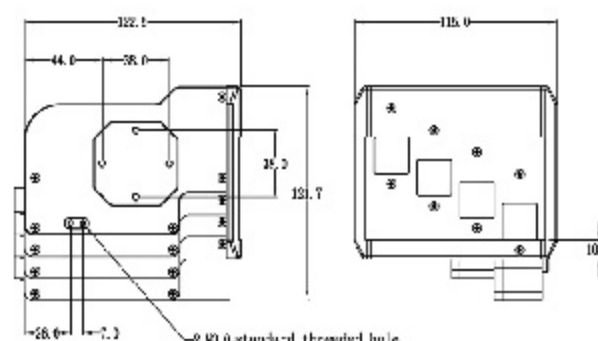
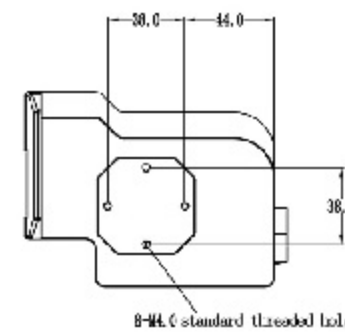
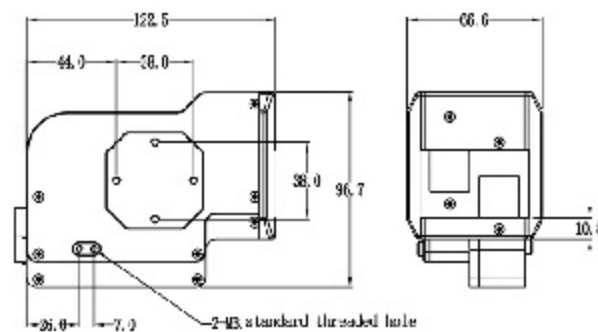
Features

Anti-counterfeiting traceability, one item one code, variable data Follow the IoT platform trend.

Appearance



Controller (unit: mm)



Print head (unit: mm)

Parameter

Controller	Touch screen: 1024*600 capacitive touch screen
	Operation interface: GUI, WYSIWYG Editor
	Keyboard: touch screen pop-up, compatible with universal code
	Memory: 4G storage space, 1G running memory
	Communication interface: 2 RS232, 1 Ethernet port, 1 USB interface
	IO interface: support 3-color alarm light, encoder, photocell sensor
	Printing content: text, date, serial number, number, counter, database, external real-time data
	Support barcode type: GTIN, UPC, CODE 128, GS1-128, CODE 39, EAN, UCC, 2D Data Matrix, QR Code
	Picture format: BMP, JPG, PNG, TIF, JPEG
Cartridge	Cartridge type: solvent/42ml, water-based 42ml
	Ink cartridge color: black, white, red, yellow, blue, tgreen, invisible, UV, food-grade ink

Print Head	Print head: double print heads, four print heads
	Inkjet technology: Thermal Inkjet
	Printing height: 2-50mm
	Printing accuracy: up to 600dpi
	Printing speed: the fastest 60 meters per minute
	Printing distance: 2-5mm
System	Printing direction: normal, X reverse, Y reverse, XY reverse
	Operating system: embedded industrial operating system
	CPU: new generation of ARM series high-end core CPU
	Power adapter: 30-240VAC input, 16.8V/4A DC output
	Plug options: British standard, American standard, European standard, Korean standard, etc.
Working environment: temperature 0-45°C, humidity 40%-60%	

