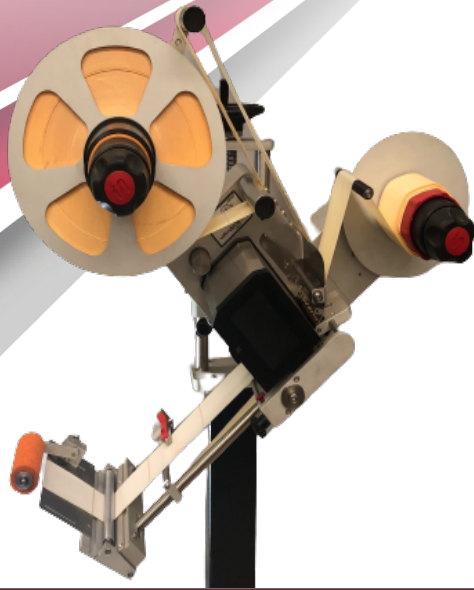
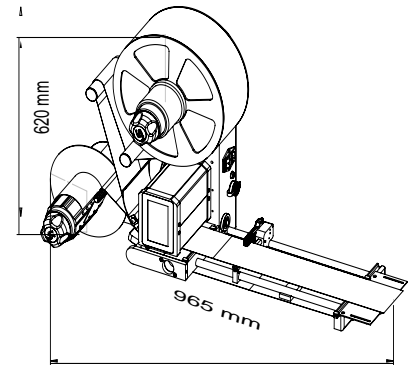
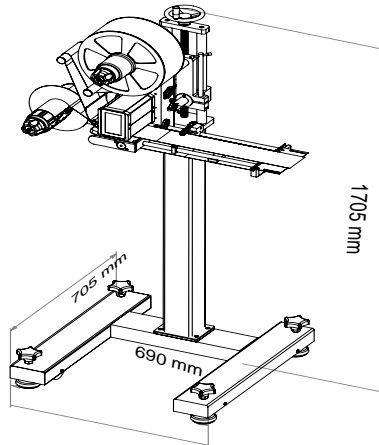


SVM D-130 DISPENSER



Specifications	Dispenser
Label Speed	Max 1000 mm/s
Power Supply	110-220V 50/60 Hz
Input/Outputs	Label Feeding Signal / Fault Signal , Busy Signal
Interface	USB - Ethernet(optional)
Connection Types	Relay (NPN-PNP) - Photocell (NPN-PNP)
Advanced Properties	Working with encoder or without encoder printer can be connected (optional) blower mechanism can be connected (optional) transparent label sensor (optional)
Screen	4.3" / 272x480 pixel resolution
Language	Multi-Language System



Specifications	Dispenser
Max Label Roll Diameter	300 mm
Reel Holder	75 mm
Min Label Width	30 mm
Max Label Width	130 mm
Weight	25 kg